

**2 MEGABIT (262,144 x 8 BIT)****5 VOLT CMOS FLASH MEMORY****Features**

- 256Kx8-bit Organization
- Address Access Time: 90 ns
- Single 5V  $\pm$  10% Power Supply
- Sector Erase Mode Operation
- 512 bytes per Sector, 512 Sectors
  - Sector-Erase Cycle Time: 10ms (Max)
  - Byte-Write Cycle Time: 30 $\mu$ s (Max)
- Minimum 1,000 Erase-Program Cycles
- Low power dissipation
  - Active Read Current: 20mA (Typ)
  - Active Program Current: 30mA (Typ)
  - Standby Current: 100 $\mu$ A (Max)
- Low V<sub>CC</sub> Program Inhibit Below 3.5V
- CMOS and TTL Interface
- Packages:
  - 32-pin Plastic DIP
  - 32-pin PLCC

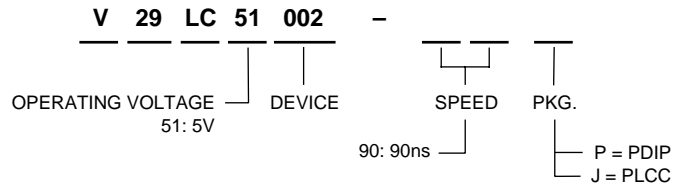
**Description**

The V29LC51002 is a high speed 262,144 x 8 bit CMOS flash memory. Writing or erasing the device is done with a single 5 Volt power supply. The device has separate chip enable  $\overline{CE}$ , write enable  $\overline{WE}$ , and output enable  $\overline{OE}$  controls to eliminate bus contention.

The V29LC51002 features a sector erase operation which allows each sector to be erased and reprogrammed without affecting data stored in other sectors. The device also supports full chip erase.

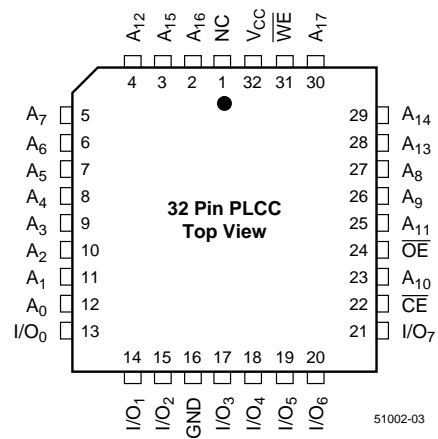
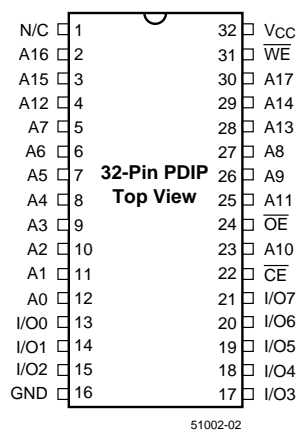
**Device Usage Chart**

Operating Temperature Range	Package Outline		Access Time (ns)	Temperature Mark
	P	J	90	
0°C to 70°C	•	•	•	Blank



C51002-01

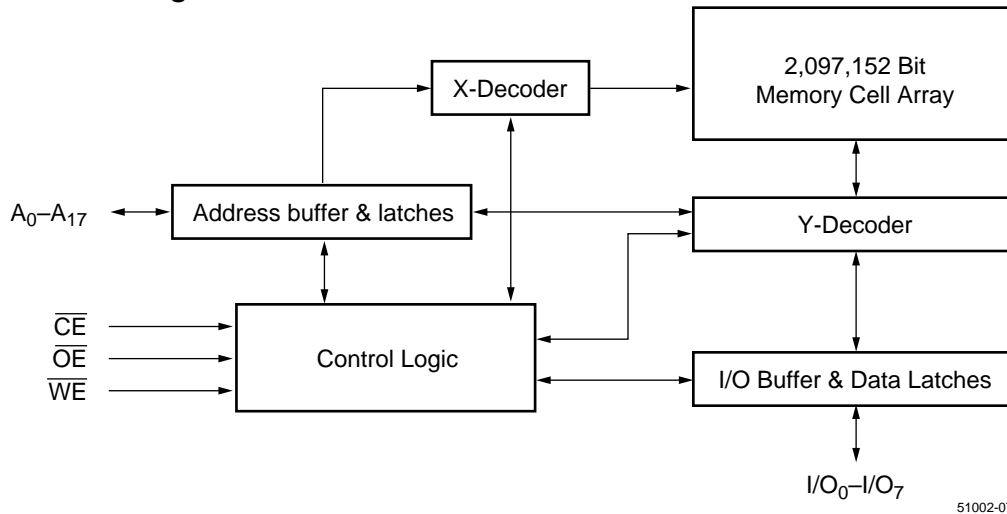
**Pin Configurations**



**Pin Names**

A <sub>0</sub> -A <sub>17</sub>	Address Inputs
I/O <sub>0</sub> -I/O <sub>7</sub>	Data Input/Output
$\overline{CE}$	Chip Enable
$\overline{OE}$	Output Enable
$\overline{WE}$	Write Enable
V <sub>CC</sub>	5V ± 10% Power Supply
GND	Ground
NC	No Connect

**Functional Block Diagram**



**Capacitance (1,2)**

Symbol	Parameter	Test Setup	Typ.	Max.	Units
C <sub>IN</sub>	Input Capacitance	V <sub>IN</sub> = 0	6	8	pF
C <sub>OUT</sub>	Output Capacitance	V <sub>OUT</sub> = 0	8	12	pF
C <sub>IN2</sub>	Control Pin Capacitance	V <sub>IN</sub> = 0	8	10	pF

**NOTE:**

1. Capacitance is sampled and not 100% tested.
2. T<sub>A</sub> = 25°C, V<sub>CC</sub> = 5V ± 10%, f = 1 MHz.

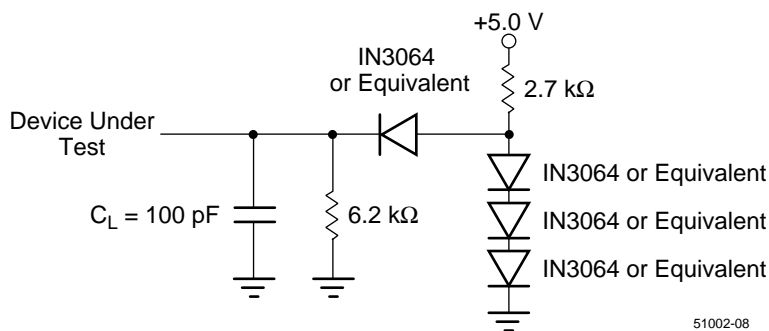
**Latch Up Characteristics(1)**

Parameter	Min.	Max.	Unit
Input Voltage with Respect to GND on A <sub>9</sub> , $\overline{OE}$	-1	+13	V
Input Voltage with Respect to GND on I/O, address or control pins	-1	V <sub>CC</sub> + 1	V
V <sub>CC</sub> Current	-100	+100	mA

**NOTE:**

1. Includes all pins except V<sub>CC</sub>. Test conditions: V<sub>CC</sub> = 5V, one pin at a time.

**AC Test Load**



**Absolute Maximum Ratings<sup>(1)</sup>**

Symbol	Parameter	Commercial	Unit
$V_{IN}$	Input Voltage (input or I/O pins)	-2 to +7	V
$V_{IN}$	Input Voltage ( $A_9$ pin, $\overline{OE}$ )	-2 to +13	V
$V_{CC}$	Power Supply Voltage	-0.5 to +5.5	V
$T_{STG}$	Storage Temperature (Plastic)	-65 to +125	°C
$T_{OPR}$	Operating Temperature	0 to +70	°C
$I_{OUT}$	Short Circuit Current <sup>(2)</sup>	200 (Max.)	mA

**NOTE:**

1. Stress greater than those listed under "Absolute Maximum Ratings" may cause permanent damage to the device. This is a stress rating only and functional operation of the device at these or any other conditions above those indicated in the operational sections of this specification is not implied. Exposure to absolute maximum rating conditions for extended periods may affect reliability.
2. No more than one output maybe shorted at a time and not exceeding one second long.

**DC Electrical Characteristics**

(over the commercial operating range)

Parameter Name	Parameter	Test Conditions	Min.	Max.	Unit
$V_{IL}$	Input LOW Voltage	$V_{CC} = V_{CC} \text{ Min.}$	—	0.8	V
$V_{IH}$	Input HIGH Voltage	$V_{CC} = V_{CC} \text{ Max.}$	2	—	V
$I_{IL}$	Input Leakage Current	$V_{IN} = \text{GND to } V_{CC}, V_{CC} = V_{CC} \text{ Max.}$	—	$\pm 1$	$\mu\text{A}$
$I_{OL}$	Output Leakage Current	$V_{OUT} = \text{GND to } V_{CC}, V_{CC} = V_{CC} \text{ Max.}$	—	$\pm 10$	$\mu\text{A}$
$V_{OL}$	Output LOW Voltage	$V_{CC} = V_{CC} \text{ Min.}, I_{OL} = 2.1 \text{ mA}$	—	0.4	V
$V_{OH}$	Output HIGH Voltage	$V_{CC} = V_{CC} \text{ Min.}, I_{OH} = -400 \mu\text{A}$	2.4	—	V
$I_{CC1}$	Read Current	$\overline{CE} = \overline{OE} = V_{IL}, \overline{WE} = V_{IH},$ all I/Os open, Address input = $V_{IL}/V_{IH}$ , at $f = 1/t_{RC} \text{ Min.},$ $V_{CC} = V_{CC} \text{ Max.}$	—	40	mA
$I_{CC2}$	Write Current	$\overline{CE} = \overline{WE} = V_{IL}, \overline{OE} = V_{IH}, V_{CC} = V_{CC} \text{ Max.}$	—	50	mA
$I_{SB}$	TTL Standby Current	$\overline{CE} = \overline{OE} = \overline{WE} = V_{IH}, V_{CC} = V_{CC} \text{ Max.}$	—	2	mA
$I_{SB1}$	CMOS Standby Current	$\overline{CE} = \overline{OE} = \overline{WE} = V_{CC} - 0.3 \text{ V}, V_{CC} = V_{CC} \text{ Max.}$	—	100	$\mu\text{A}$
$V_H$	Device ID Voltage for $A_9$	$\overline{CE} = \overline{OE} = V_{IL}, \overline{WE} = V_{IH}$	11.5	12.5	V
$I_H$	Device ID Current for $A_9$	$\overline{CE} = \overline{OE} = V_{IL}, \overline{WE} = V_{IH}, A_9 = V_H \text{ Max.}$	—	50	$\mu\text{A}$

**AC Electrical Characteristics**

(over all temperature ranges)

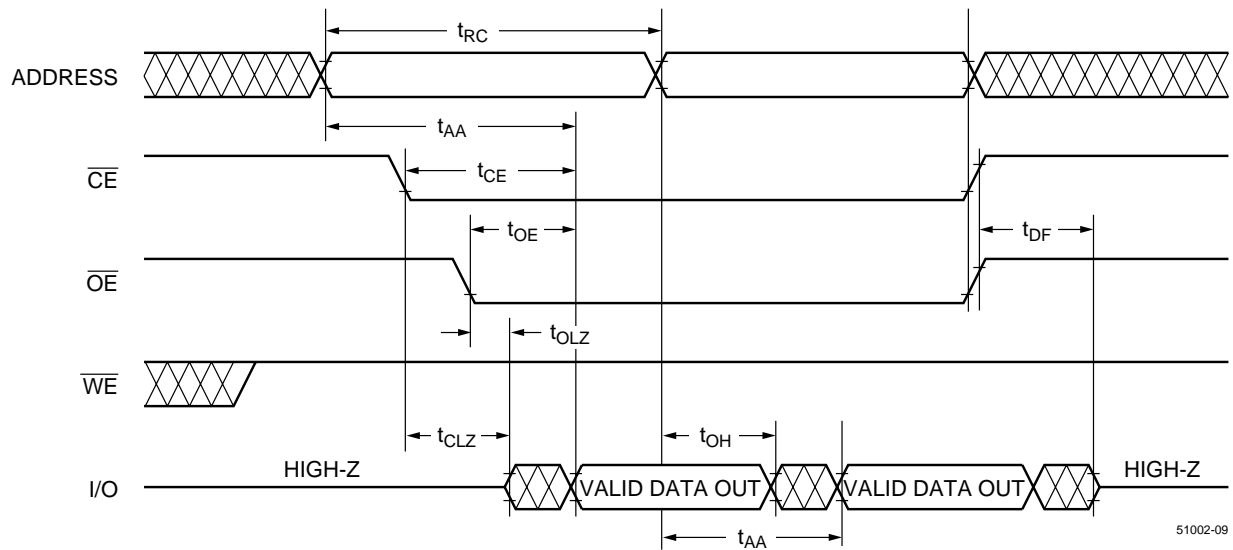
**Read Cycle**

Parameter Name	Parameter	-90		Unit
		Min.	Max.	
$t_{RC}$	Read Cycle Time	90	—	ns
$t_{AA}$	Address Access Time	—	90	ns
$t_{ACS}$	Chip Enable Access Time	—	90	ns
$t_{OE}$	Output Enable Access Time	—	45	ns
$t_{CLZ}$	$\overline{CE}$ Low to Output Active	0	—	ns
$t_{OLZ}$	$\overline{OE}$ Low to Output Active	0	—	ns
$t_{DF}$	$\overline{OE}$ or $\overline{CE}$ High to Output in High Z	0	40	ns
$t_{OH}$	Output Hold from Address Change	0	—	ns

**Program (Erase/Program) Cycle**

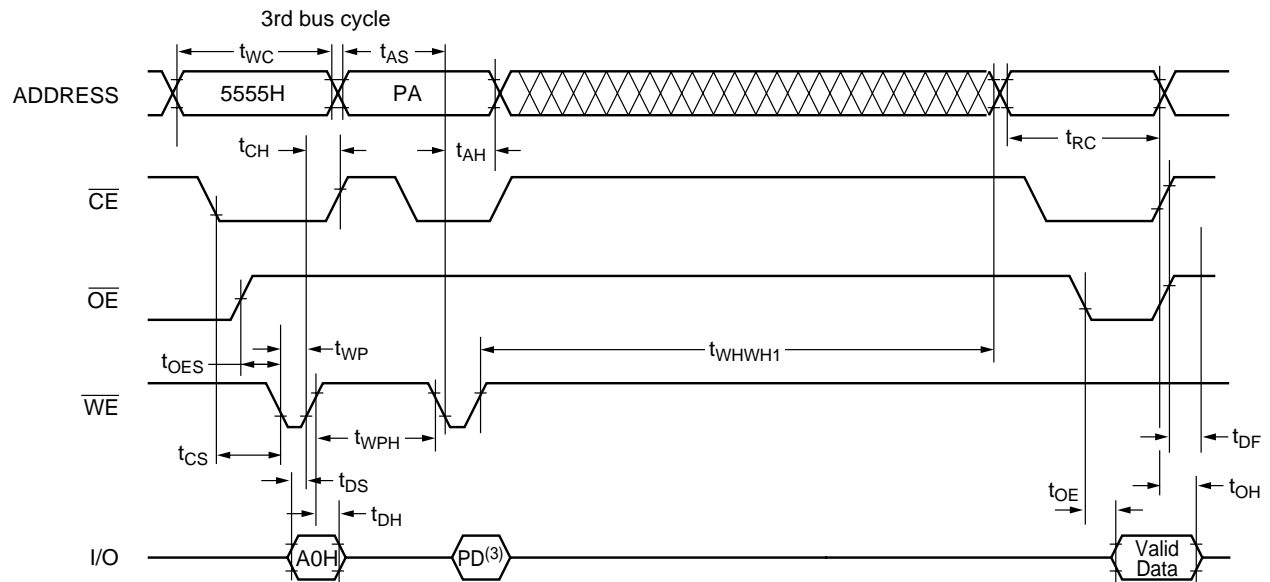
Parameter Name	Parameter	-90			Unit
		Min.	Typ.	Max.	
$t_{WC}$	Write Cycle Time	90	—	—	ns
$t_{AS}$	Address Setup Time	0	—	—	ns
$t_{AH}$	Address Hold Time	45	—	—	ns
$t_{CS}$	$\overline{CE}$ Setup Time	0	—	—	ns
$t_{CH}$	$\overline{CE}$ Hold Time	0	—	—	ns
$t_{OES}$	$\overline{OE}$ Setup Time	0	—	—	ns
$t_{OEH}$	$\overline{OE}$ High Hold Time	0	—	—	ns
$t_{WP}$	$\overline{WE}$ Pulse Width	45	—	—	ns
$t_{WPH}$	$\overline{WE}$ Pulse Width High	30	—	—	ns
$t_{DS}$	Data Setup Time	30	—	—	ns
$t_{DH}$	Data Hold Time	0	—	—	ns
$t_{WHWH1}$	Programming Cycle	—	—	30	$\mu$ s
$t_{WHWH2}$	Sector Erase Cycle	—	—	10	ms
$t_{WHWH3}$	Chip Erase Cycle	—	3	—	sec

**Waveforms of Read Cycle**



51002-09

**Waveforms of  $\overline{WE}$  Controlled-Program Cycle**

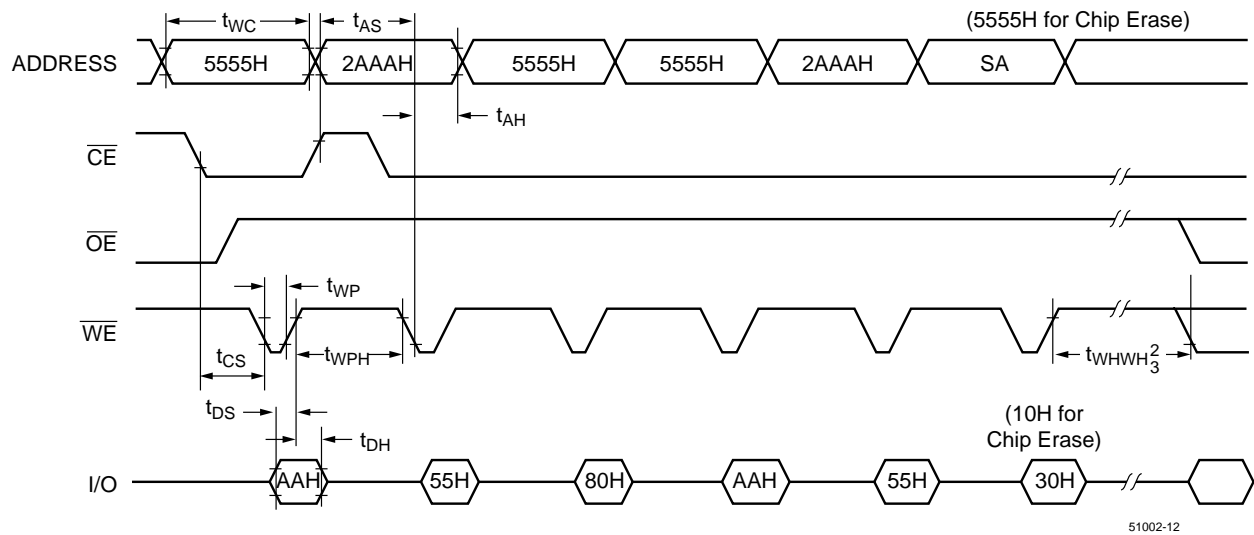


C51002-10

**NOTES:**

1. PA: The address of the memory location to be programmed.
2. PD: The data at the byte address to be programmed.

**Waveforms of Erase Cycle<sup>(1)</sup>**



**NOTES:**

1. PA: The address of the memory location to be programmed.
2. PD: The data at the byte address to be programmed.
3. SA: The sector address for Sector Erase.

**FUNCTIONAL DESCRIPTION**

**Read Cycle**

A read cycle is performed by holding both  $\overline{CE}$  and  $\overline{OE}$  signals LOW. Data Out becomes valid only when these conditions are met. During a read cycle  $\overline{WE}$  must be HIGH prior to  $\overline{CE}$  and  $\overline{OE}$  going LOW.  $\overline{WE}$  must remain HIGH during the read operation for the read to complete (see Table 1).

**Output Disable**

Returning  $\overline{OE}$  or  $\overline{CE}$  HIGH, whichever occurs first will terminate the read operation and place the I/O pins in the HIGH-Z state.

**Standby**

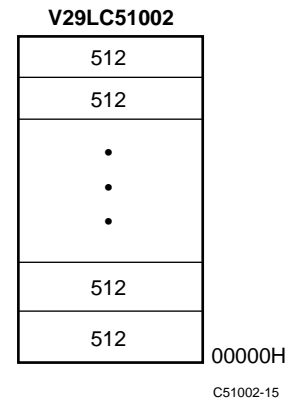
The device will enter standby mode when the  $\overline{CE}$  signal is HIGH. The I/O pins are placed in the HIGH-Z, independent of the  $\overline{OE}$  input state.

**Command Sequence**

The V29LC51002 does not provide the “reset” feature to return the chip to its normal state when an incomplete command sequence or an interruption has happened. In this case, normal operation (Read Mode) can be restored by issuing a “non-existent” command sequence, for example Address: 5555H, Data FFH.

**Byte Write Cycle**

The V29LC51002 is programmed on a byte-by-byte basis. The byte write operation is initiated by using a specific four-bus-cycle sequence: two unlock program cycles, a program setup command and program data program cycles (see Table 2).



During the byte write cycle, addresses are latched on the falling edge of either  $\overline{CE}$  or  $\overline{WE}$ , whichever is last. Data is latched on the rising edge of  $\overline{CE}$  or  $\overline{WE}$ , whichever is first. The byte write cycle can be  $\overline{CE}$  controlled or  $\overline{WE}$  controlled.

**Sector Erase Cycle**

The V29LC51002 features a sector erase operation which allows each sector to be erased and reprogrammed without affecting data stored in other sectors. Sector erase operation is initiated by using a specific six-bus-cycle sequence: Two unlock program cycles, a setup command, two additional unlock program cycles, and the sector erase command (see Table 2). A sector must be first erased before it can be re-written. While in the internal erase mode, the device ignores any program attempt into the device. Sector erase is completed in 10ms max. The V29LC51002 is shipped fully erased (all bits = 1).

**Table 1. Operation Modes Decoding**

Decoding Mode	$\overline{CE}$	$\overline{OE}$	$\overline{WE}$	A <sub>0</sub>	A <sub>1</sub>	A <sub>9</sub>	I/O
Read	V <sub>IL</sub>	V <sub>IL</sub>	V <sub>IH</sub>	A <sub>0</sub>	A <sub>1</sub>	A <sub>9</sub>	READ
Byte Write	V <sub>IL</sub>	V <sub>IH</sub>	V <sub>IL</sub>	A <sub>0</sub>	A <sub>1</sub>	A <sub>9</sub>	PD
Standby	V <sub>IH</sub>	X	X	X	X	X	HIGH-Z
Output Disable	V <sub>IL</sub>	V <sub>IH</sub>	V <sub>IH</sub>	X	X	X	HIGH-Z

**NOTES:**

1. X = Don't Care, V<sub>IH</sub> = HIGH, V<sub>IL</sub> = LOW, V<sub>H</sub> = 12.5V Max.
2. PD: The data at the byte address to be programmed.



**Table 2. Command Codes**

Command Sequence	First Bus Program Cycle		Second Bus Program Cycle		Third Bus Program Cycle		Fourth Bus Program Cycle		Fifth Bus Program Cycle		Six Bus Program Cycle	
	Address	Data	Address	Data	Address	Data	Address	Data	Address	Data	Address	Data
Read	XXXXH	F0H										
Read	5555H	AAH	2AAAH	55H	5555H	F0H	RA(1)	RD(2)				
Autoselect	5555H	AAH	2AAAH	55H	5555H	90H	00H	40H(6)				
							01H	82H(7)				
Byte Program	5555H	AAH	2AAAH	55H	5555H	A0H	PA	PD(4)				
Chip Erase	5555H	AAH	2AAAH	55H	5555H	80H	5555H	AAH	2AAAH	55H	5555H	10H
Sector Erase	5555H	AAH	2AAAH	55H	5555H	80H	5555H	AAH	2AAAH	55H	SA(5)	30H

**NOTES:**

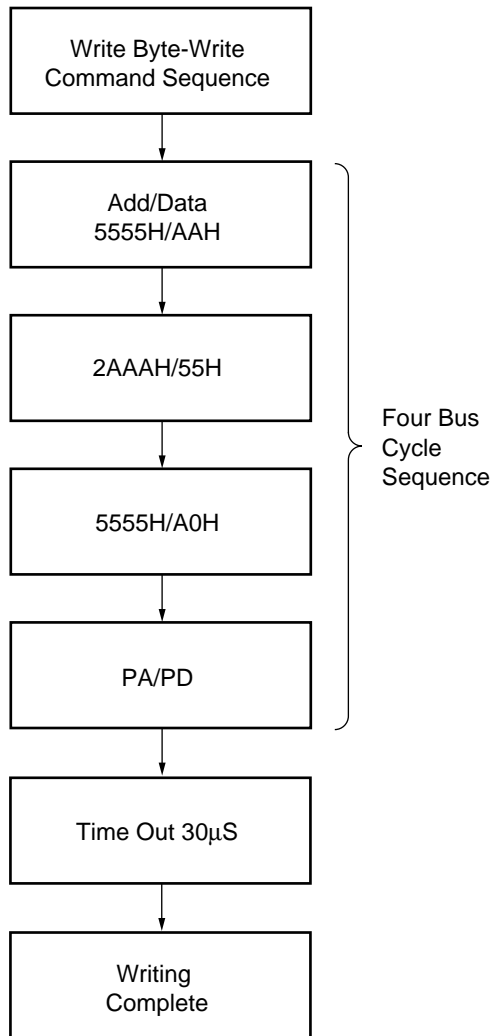
1. RA: Read Address
2. RD: Read Data
3. PA: The address of the memory location to be programmed.
4. PD: The data at the byte address to be programmed.
5. SA(5): Sector Address
6. 40H: Manufacturing ID
7. 82H: Device ID

**Chip Erase Cycle**

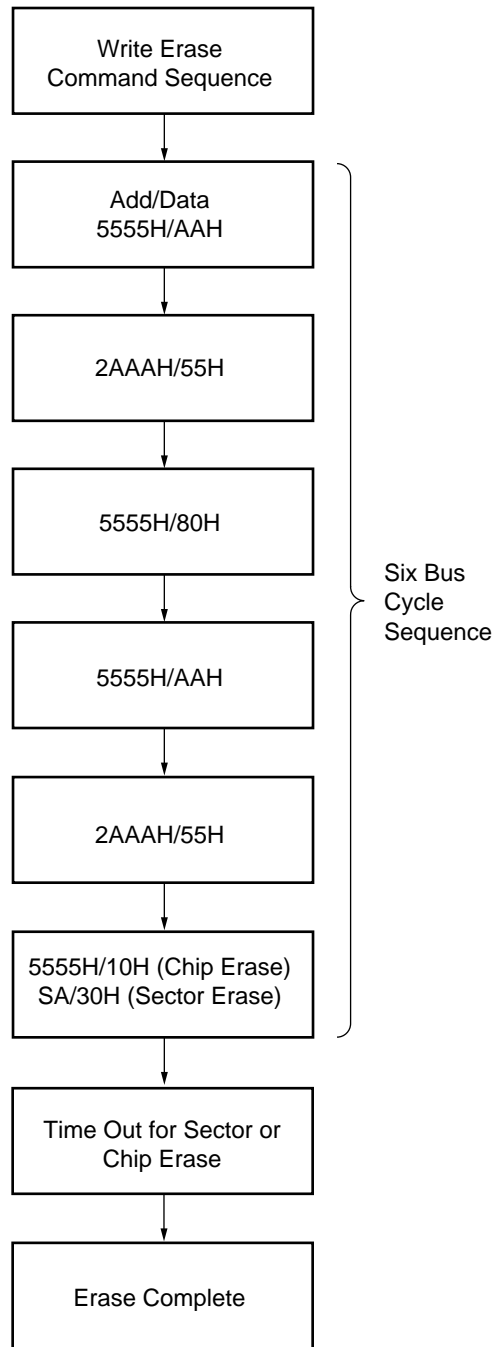
The V29LC51002 features a chip-erase operation. The chip erase operation is initiated by using a specific six-bus-cycle sequence: two unlock program cycles, a setup command, two additional unlock program cycles, and the chip erase command (see Table 2).

The automatic erase begins on the rising edge of the last  $\overline{WE}$  or  $\overline{CE}$  pulse in the command sequence and is completed in 3 sec max.

**Byte Program Algorithm**



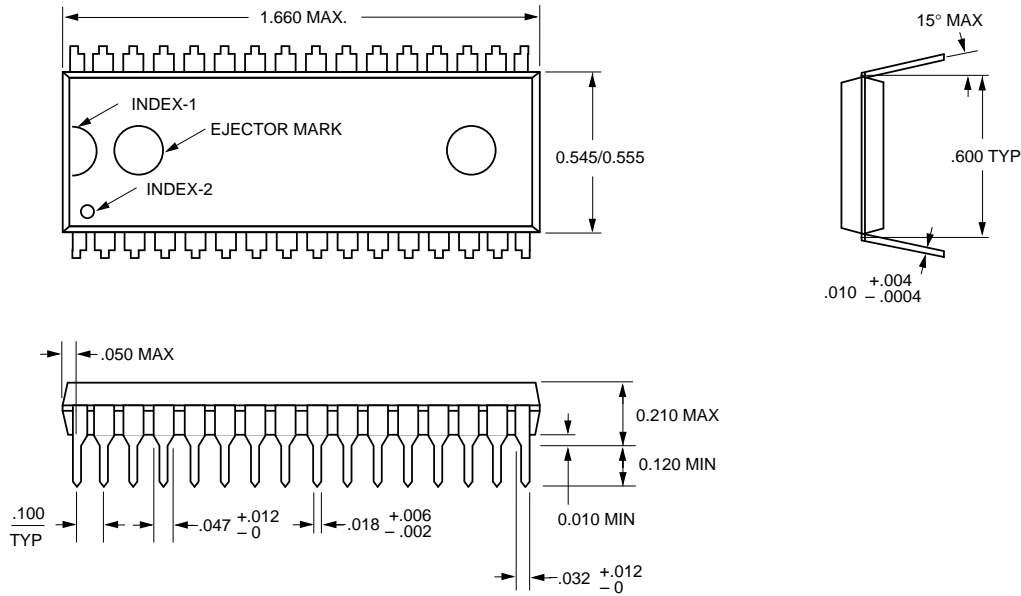
**Chip/Sector Erase Algorithm**



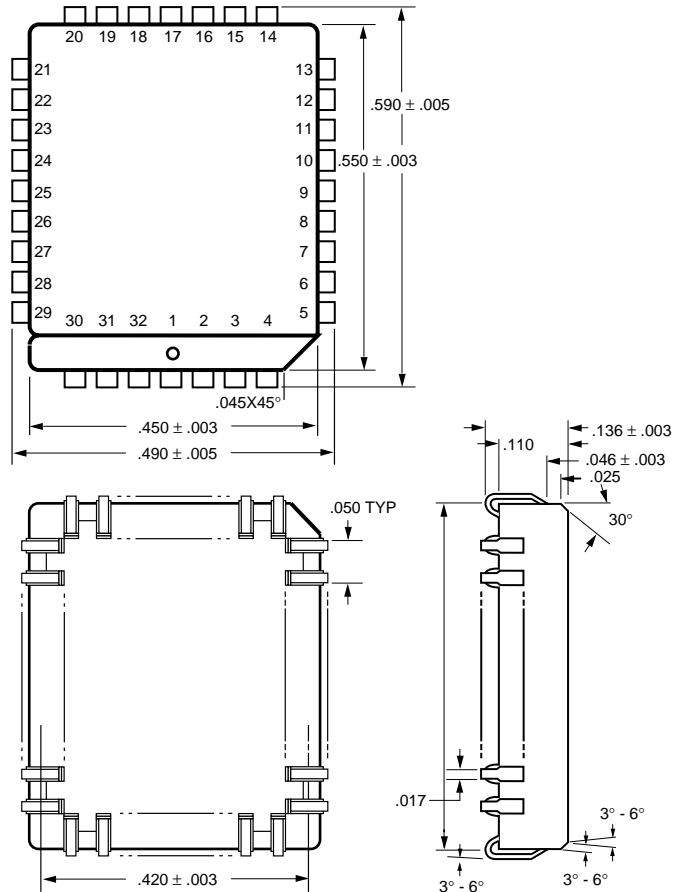
C51002-16

**Package Diagrams**

**32-pin Plastic DIP**



**32-pin PLCC**



**U.S.A.**

3910 NORTH FIRST STREET  
SAN JOSE, CA 95134  
PHONE: 408-433-6000  
FAX: 408-433-0952

**HONG KONG**

19 DAI FU STREET  
TAIPO INDUSTRIAL ESTATE  
TAIPO, NT, HONG KONG  
PHONE: 852-2666-3307  
FAX: 852-2770-8011

**TAIWAN**

7F, NO. 102  
MIN-CHUAN E. ROAD, SEC. 3  
TAIPEI  
PHONE: 886-2-2545-1213  
FAX: 886-2-2545-1209

NO 19 LI HSIN ROAD  
SCIENCE BASED IND. PARK  
HSIN CHU, TAIWAN, R.O.C.  
PHONE: 886-3-579-5888  
FAX: 886-3-566-5888

**SINGAPORE**

10 ANSON ROAD #23-13  
INTERNATIONAL PLAZA  
SINGAPORE 079903  
PHONE: 65-3231801  
FAX: 65-3237013

**JAPAN**

ONZE 1852 BUILDING 6F  
2-14-6 SHINTOMI, CHUO-KU  
TOKYO 104-0041  
PHONE: 03-3537-1400  
FAX: 03-3537-1402

**UK & IRELAND**

SUITE 50, GROVEWOOD  
BUSINESS CENTRE  
STRATHCLYDE BUSINESS  
PARK  
BELLSHILL, LANARKSHIRE,  
SCOTLAND, ML4 3NQ  
PHONE: 44-1698-748515  
FAX: 44-1698-748516

**GERMANY  
(CONTINENTAL  
EUROPE & ISRAEL)**

BENZSTRASSE 32  
71083 HERRENBERG  
GERMANY  
PHONE: +49 7032 2796-0  
FAX: +49 7032 2796 22

**U.S. SALES OFFICES****NORTHWESTERN**

3910 NORTH FIRST STREET  
SAN JOSE, CA 95134  
PHONE: 408-433-6000  
FAX: 408-433-0952

**SOUTHWESTERN**

302 N. EL CAMINO REAL #200  
SAN CLEMENTE, CA 92672  
PHONE: 949-361-7873  
FAX: 949-361-7807

**CENTRAL,  
NORTHEASTERN &  
SOUTHEASTERN**

604 FIELDWOOD CIRCLE  
RICHARDSON, TX 75081  
PHONE: 972-690-1402  
FAX: 972-690-0341

---

The information in this document is subject to change without notice.

MOSEL VITELIC makes no commitment to update or keep current the information contained in this document. No part of this document may be copied or reproduced in any form or by any means without the prior written consent of MOSEL-VITELIC.

MOSEL VITELIC subjects its products to normal quality control sampling techniques which are intended to provide an assurance of high quality products suitable for usual commercial applications. MOSEL VITELIC does not do testing appropriate to provide 100% product quality assurance and does not assume any liability for consequential or incidental arising from any use of its products. If such products are to be used in applications in which personal injury might occur from failure, purchaser must do its own quality assurance testing appropriate to such applications.